

EXAMPLE - GROUND MARKER



EXAMPLE - GROUND MARKER

GROUND MARKER FOR CAMDEN AND AMBOY RAILROAD ALIGNMENT, TYP.

INTERPRETIVE SIGN ON CAMDEN-AMBOY RAILROAD

GROUND MARKER FOR 1860 - 1890 TURNTABLE, ON ISLAND, w/ INTERPRETIVE SIGN

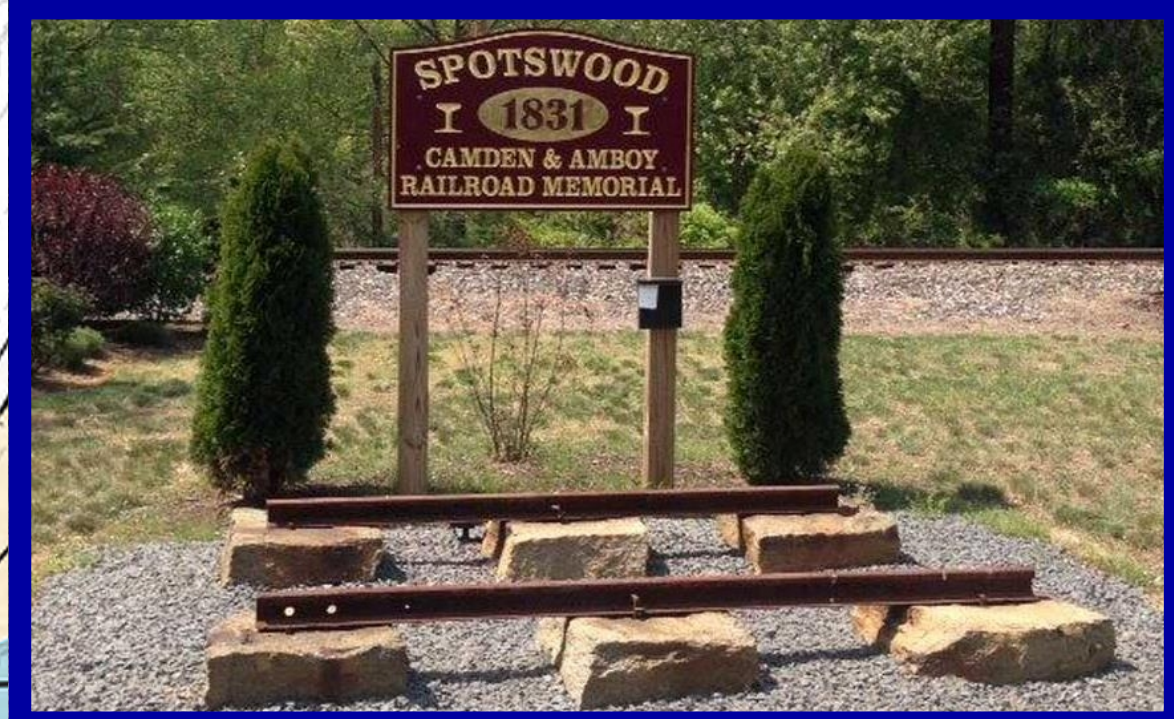
INTERPRETIVE SIGN FOR 1887 - 1918 TURNTABLE

GROUND MARKER FOR 1887 - 1918 TURNTABLE

FUTURE INTERPRETIVE CENTER

INTERPRETIVE SIGN ON CAMDEN-AMBOY FREIGHT PEIR

C&A RAIL EXHIBIT W/ SLEEPERS, TRACK AND INTERPRETIVE SIGNAGE



EXAMPLE - RAILWAY DISPLAY W/ SLEEPERS

INTERPRETIVE SIGN ON "JOHN BULL" LOCOMOTIVE

INTERPRETIVE SIGN ON RAILROAD HISTORY AT SITE

INTERPRETIVE SIGN ON 1950 MUNITIONS EXPLOSION

INTERPRETIVE SIGN ON FERRY SERVICE HISTORY AT SITE

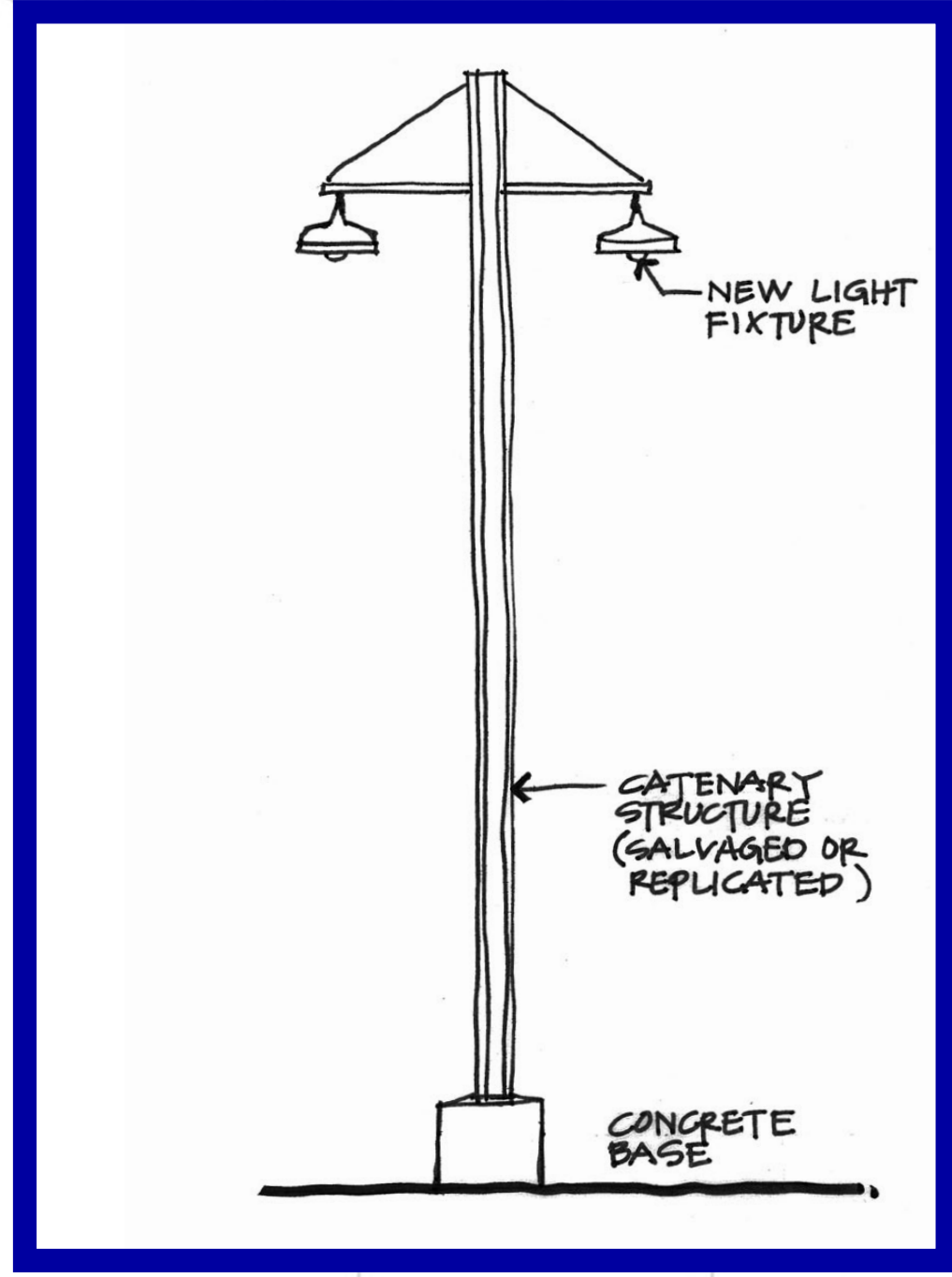
INTERPRETIVE SIGN ON WESTMORELAND PIER

INTERPRETIVE SIGN ON FIRST AIRMAIL DELIVERY

INTERPRETIVE SIGN ON LEHIGH PIER

GATEWAY / ENTRANCEWAY

CANTENARY POSTS RE-PURPOSED AS LIGHTING STRUCTURES, POSSIBLY WITH STONE SLEEPERS INCORPORATED INTO BASE



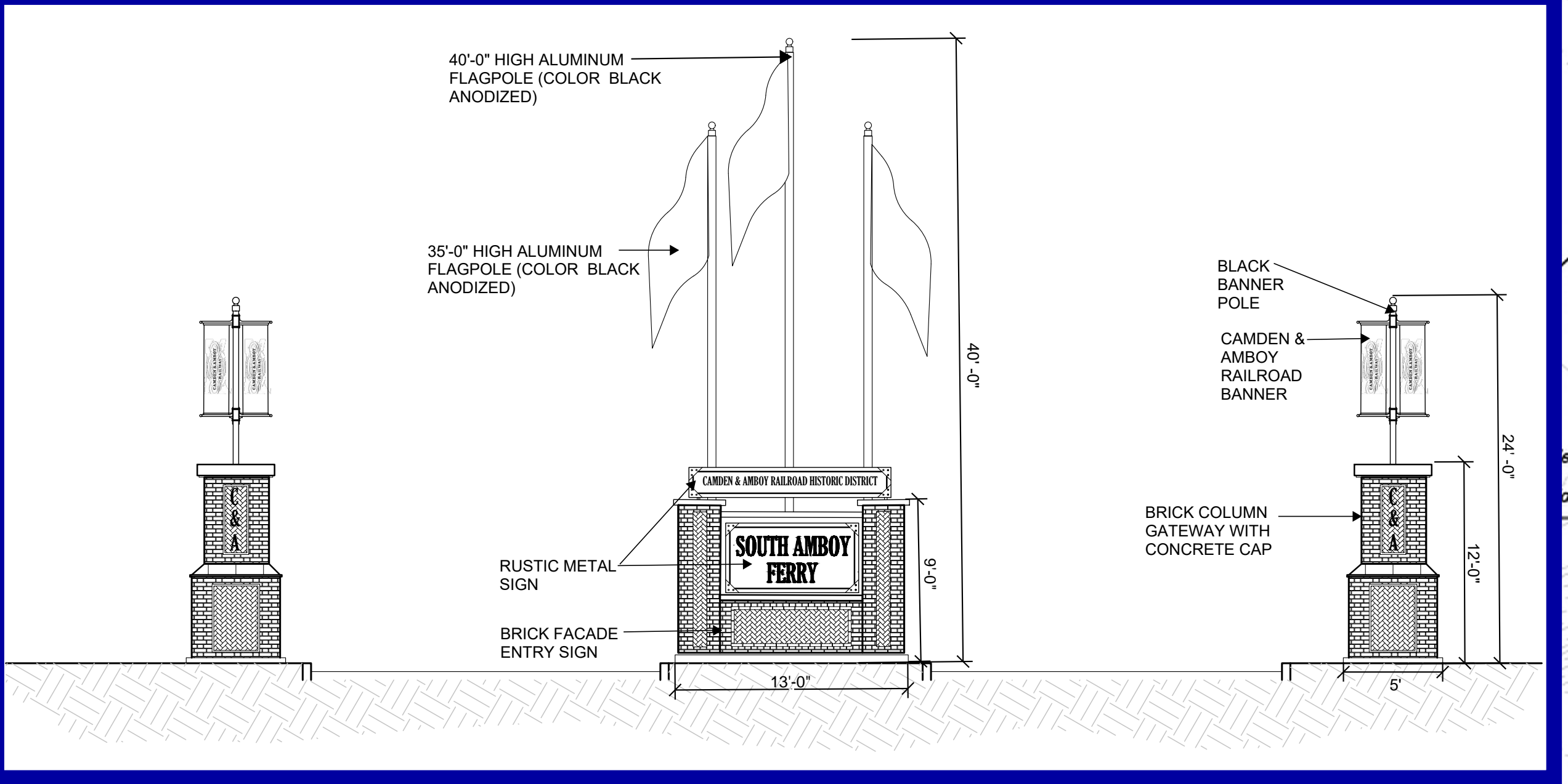
EXAMPLE - CANTENARY LIGHTING STRUCTURE



EXAMPLE - INTERPRETIVE SIGN



EXAMPLE - HISTORIC MARKER



GATEWAY / ENTRANCEWAY

FPA
FRENCH & PARRELLO ASSOCIATES

Corporate Office
1800 Route 34, Suite 101
West, NJ 07118
732.312.8800

Regional Offices
Camden, NJ
Hackettstown, NJ
New York, NY

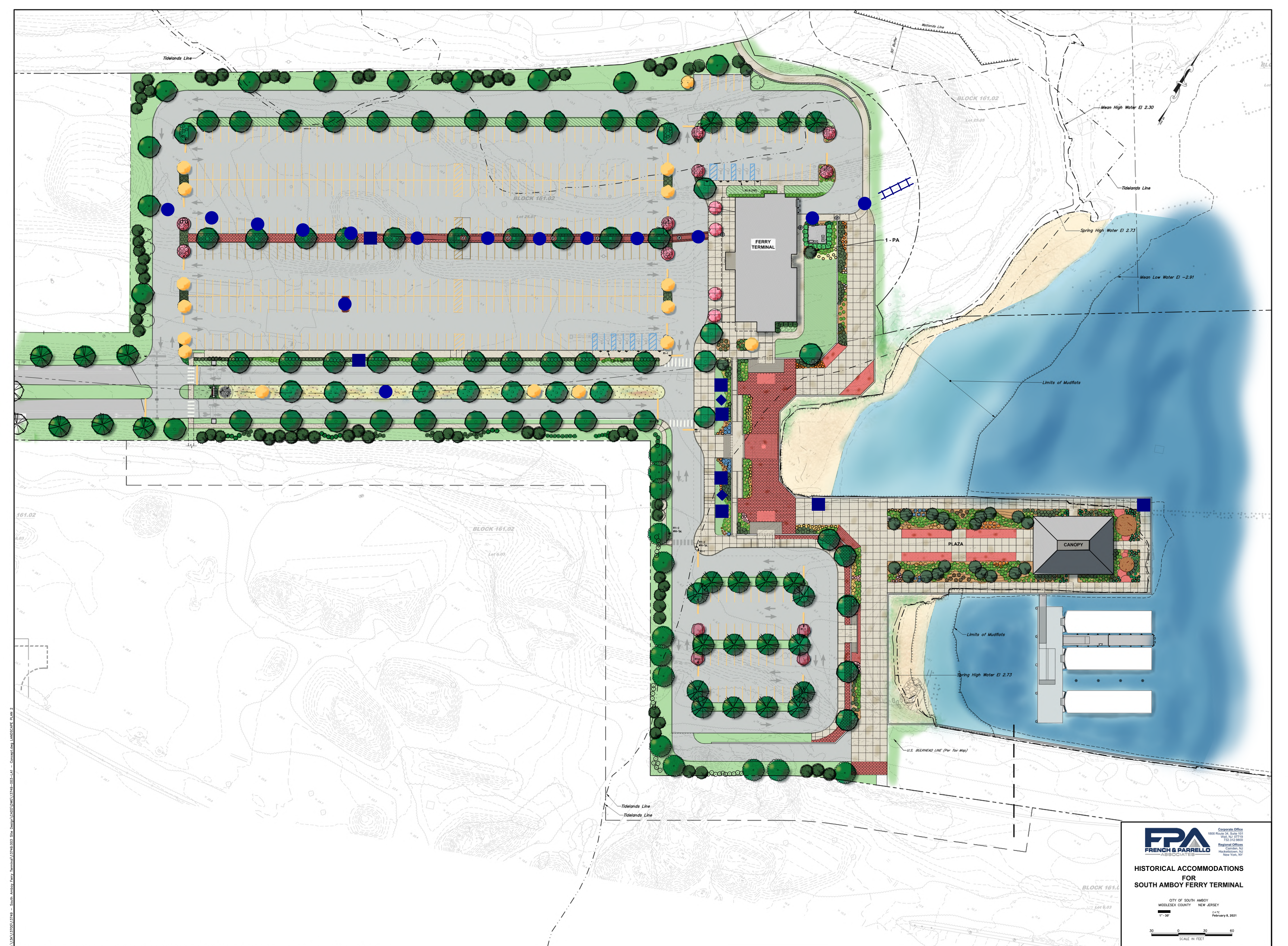
HISTORICAL ACCOMMODATIONS FOR SOUTH AMBOY FERRY TERMINAL

CITY OF SOUTH AMBOY
MIDDLESEX COUNTY NEW JERSEY

DATE: February 6, 2021

SCALE IN FEET

Copyright © 2019, French & Parrello Associates - The copying or reuse of this document, or portions thereof, without the written permission of French & Parrello Associates, PA is prohibited. Due to inherent errors in reproduction methods, errors may occur when scaling this drawing.



161.02

BLOCK 161.02

BLOCK 161.02

FERRY TERMINAL

1- PA

PLAZA

CANOPY

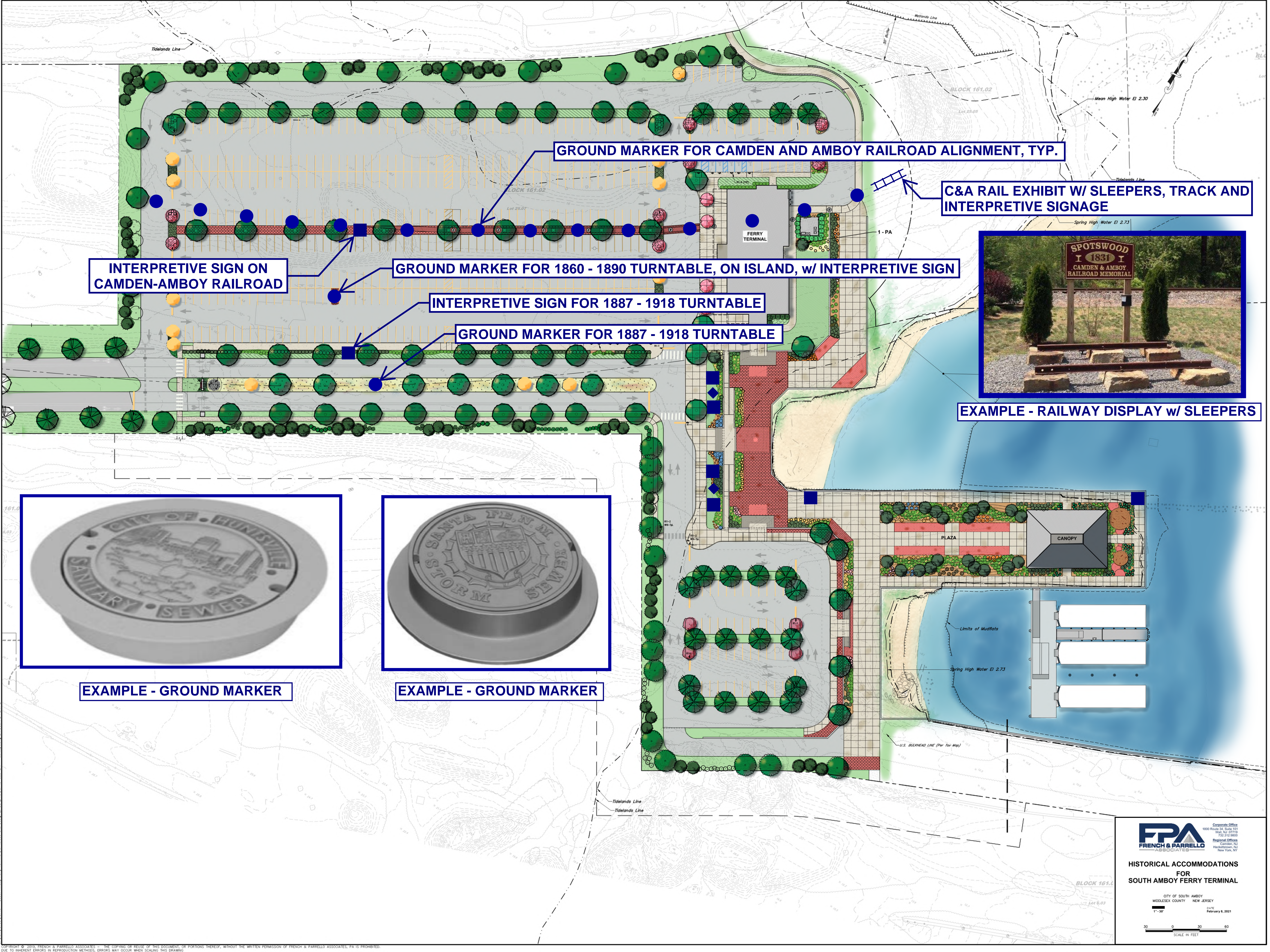


**HISTORICAL ACCOMMODATIONS
FOR
SOUTH AMBOY FERRY TERMINAL**

CITY OF SOUTH AMBOY
MIDDLESEX COUNTY NEW JERSEY

DATE February 8, 2021

SCALE IN FEET
0 30 60



INTERPRETIVE SIGN ON CAMDEN-AMBOY RAILROAD

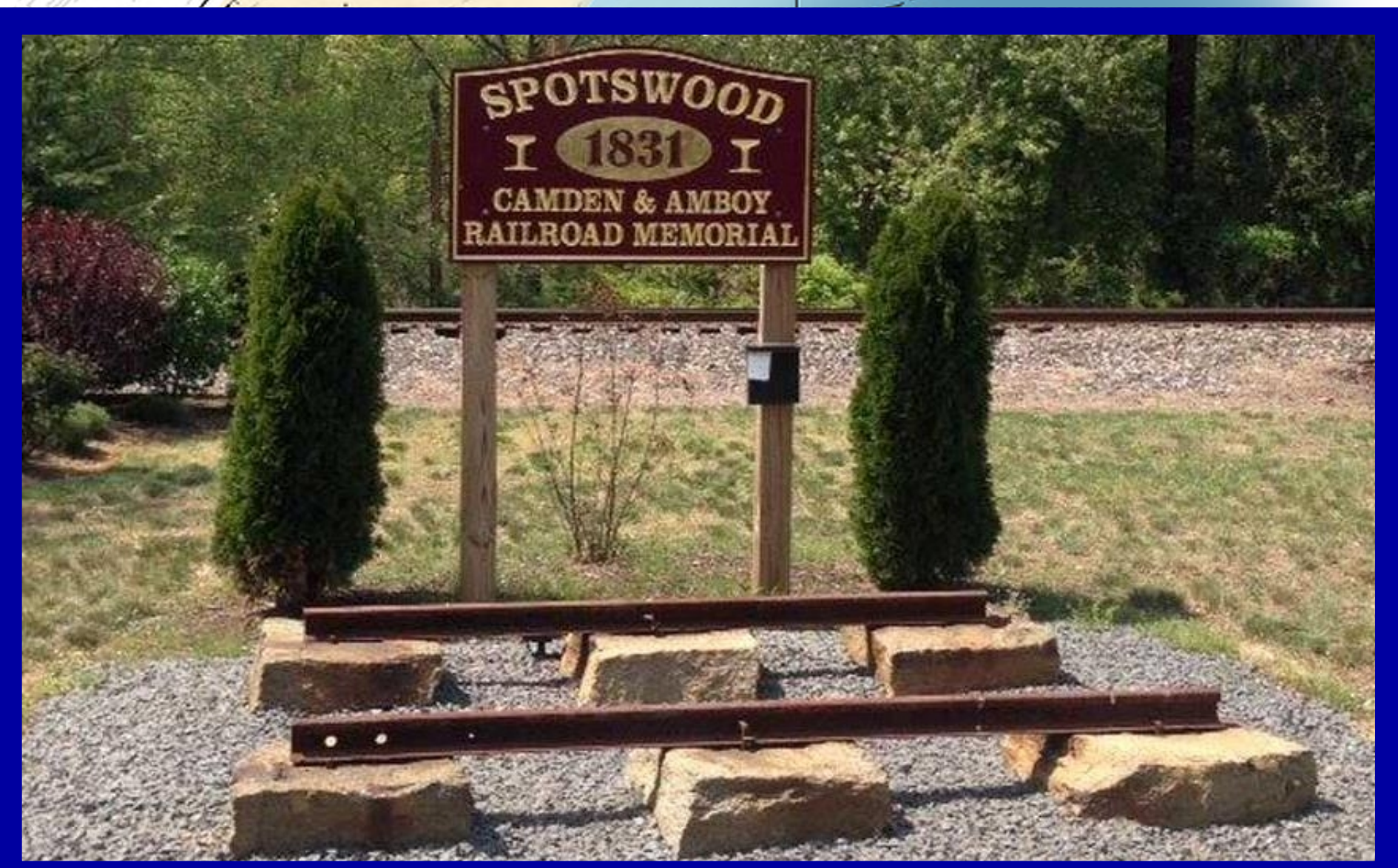
GROUND MARKER FOR 1860 - 1890 TURNTABLE, ON ISLAND, w/ INTERPRETIVE SIGN

INTERPRETIVE SIGN FOR 1887 - 1918 TURNTABLE

GROUND MARKER FOR 1887 - 1918 TURNTABLE

GROUND MARKER FOR CAMDEN AND AMBOY RAILROAD ALIGNMENT, TYP.

C&A RAIL EXHIBIT W/ SLEEPERS, TRACK AND INTERPRETIVE SIGNAGE



EXAMPLE - RAILWAY DISPLAY w/ SLEEPERS



EXAMPLE - GROUND MARKER



EXAMPLE - GROUND MARKER



HISTORICAL ACCOMMODATIONS FOR SOUTH AMBOY FERRY TERMINAL

CITY OF SOUTH AMBOY
MIDDLESEX COUNTY NEW JERSEY
DATE February 6, 2021

SCALE IN FEET
0 30 60

Copyright © 2019, FRENCH & PARRELLO ASSOCIATES - THE COPYING OR REUSE OF THIS DOCUMENT OR PORTIONS THEREOF, WITHOUT THE WRITTEN PERMISSION OF FRENCH & PARRELLO ASSOCIATES, PA IS PROHIBITED. DUE TO INHERENT ERRORS IN REPRODUCTION METHODS, ERRORS MAY OCCUR WHEN SCALING THIS DRAWING.

INTERPRETIVE SIGN ON CAMDEN-AMBOY RAILROAD

INTERPRETIVE SIGN FOR 1860 - 1890 TURNTABLE

INTERPRETIVE SIGN FOR 1887 - 1918 TURNTABLE

INTERPRETIVE SIGN ON "JOHN BULL" LOCOMOTIVE

INTERPRETIVE SIGN ON RAILROAD HISTORY AT SITE

INTERPRETIVE SIGN ON 1950 MUNITIONS EXPLOSION

INTERPRETIVE SIGN ON FERRY SERVICE HISTORY AT SITE

INTERPRETIVE SIGN ON WESTMORELND PIER

INTERPRETIVE SIGN ON FIRST AIRMAIL DELIVERY

INTERPRETIVE SIGN ON LEHIGH PIER

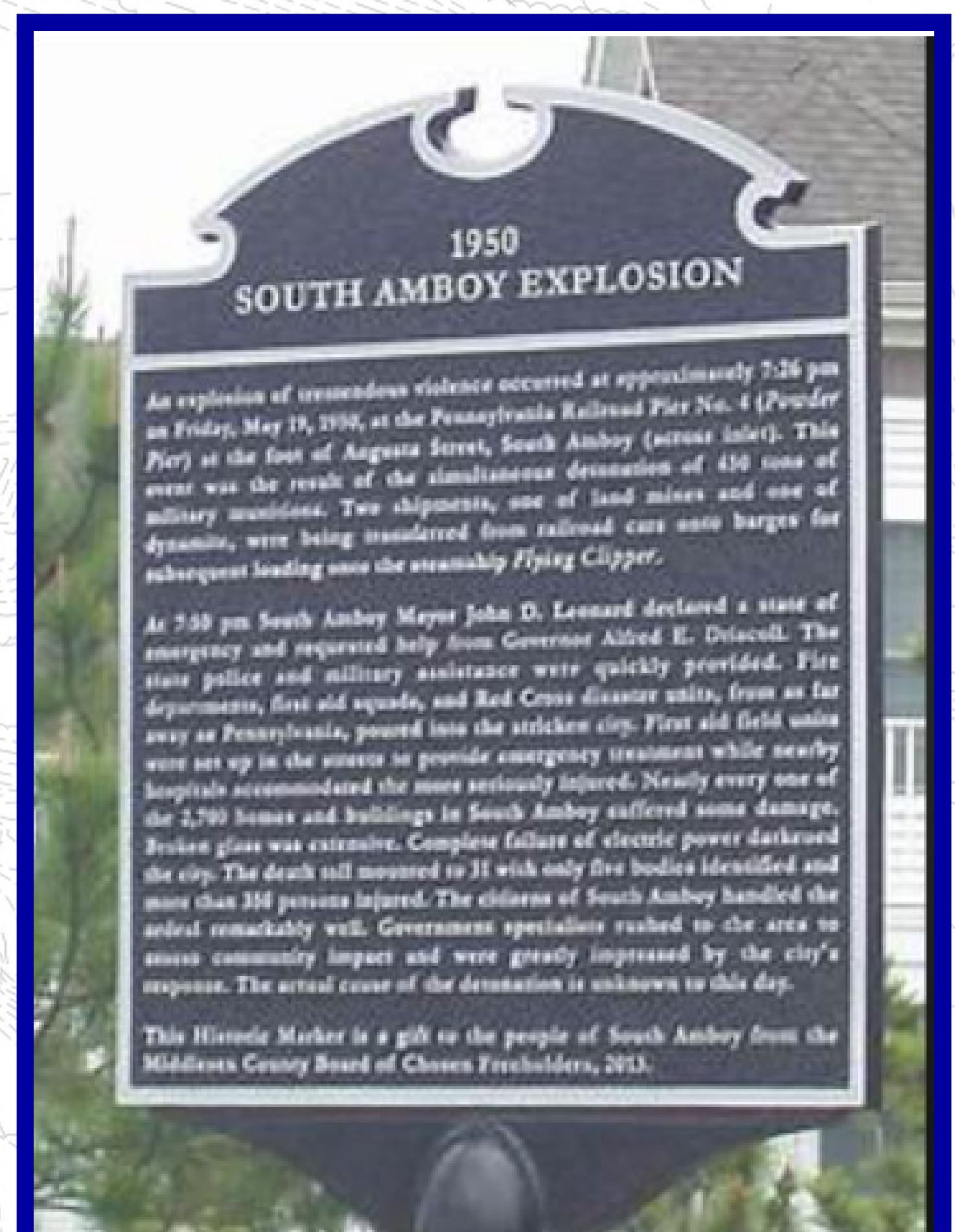
FUTURE INTERPRETIVE CENTER

INTERPRETIVE SIGN ON CAMDEN-AMBOY FREIGHT PEIR

C&A RAIL EXHIBIT W/ SLEEPERS, TRACK AND INTERPRETIVE SIGNAGE



EXAMPLE - INTERPRETIVE SIGN



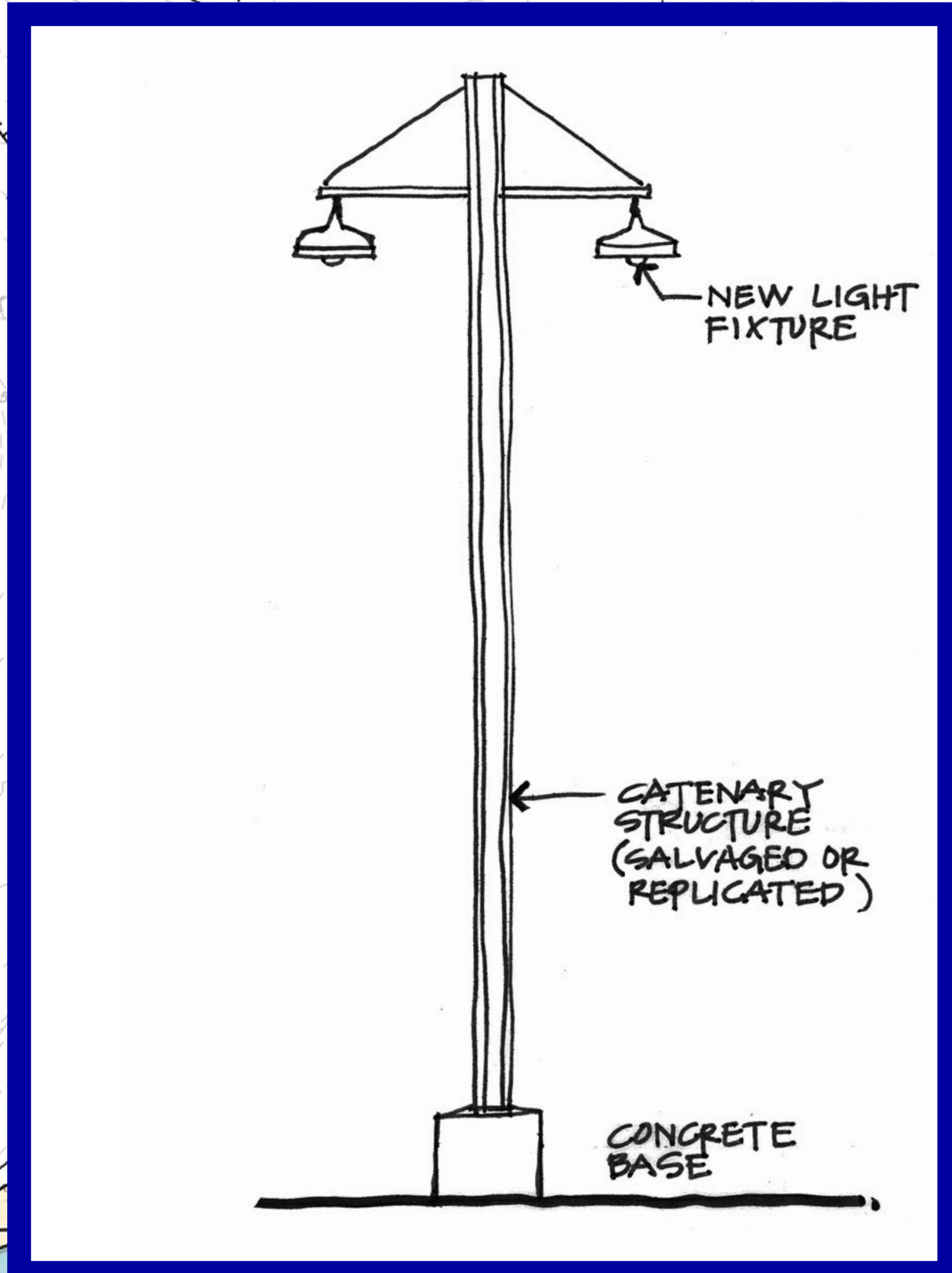
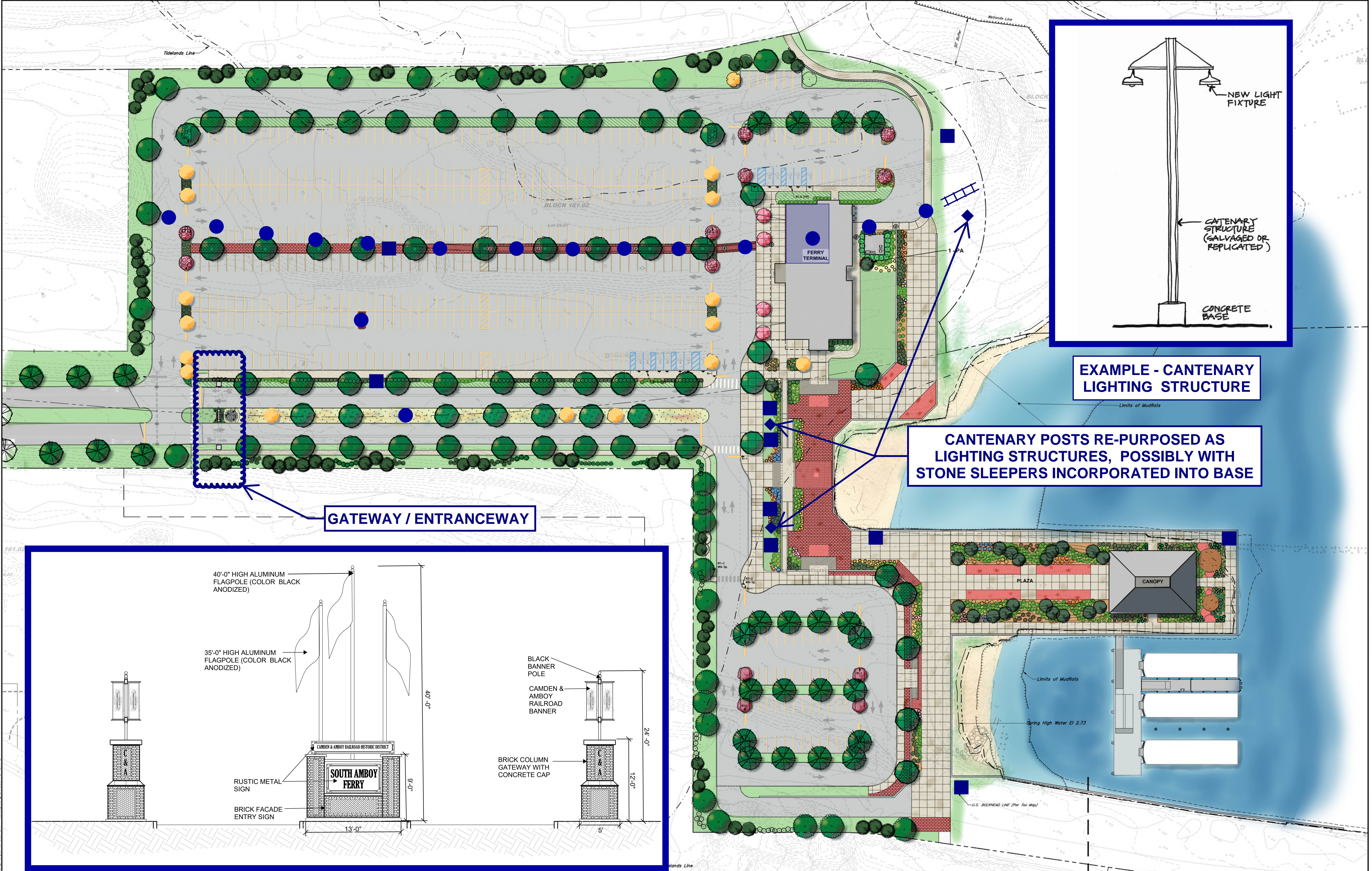
EXAMPLE - HISTORIC MARKER



HISTORICAL ACCOMMODATIONS FOR SOUTH AMBOY FERRY TERMINAL

CITY OF SOUTH AMBOY MIDDLESEX COUNTY NEW JERSEY DATE February 6, 2021

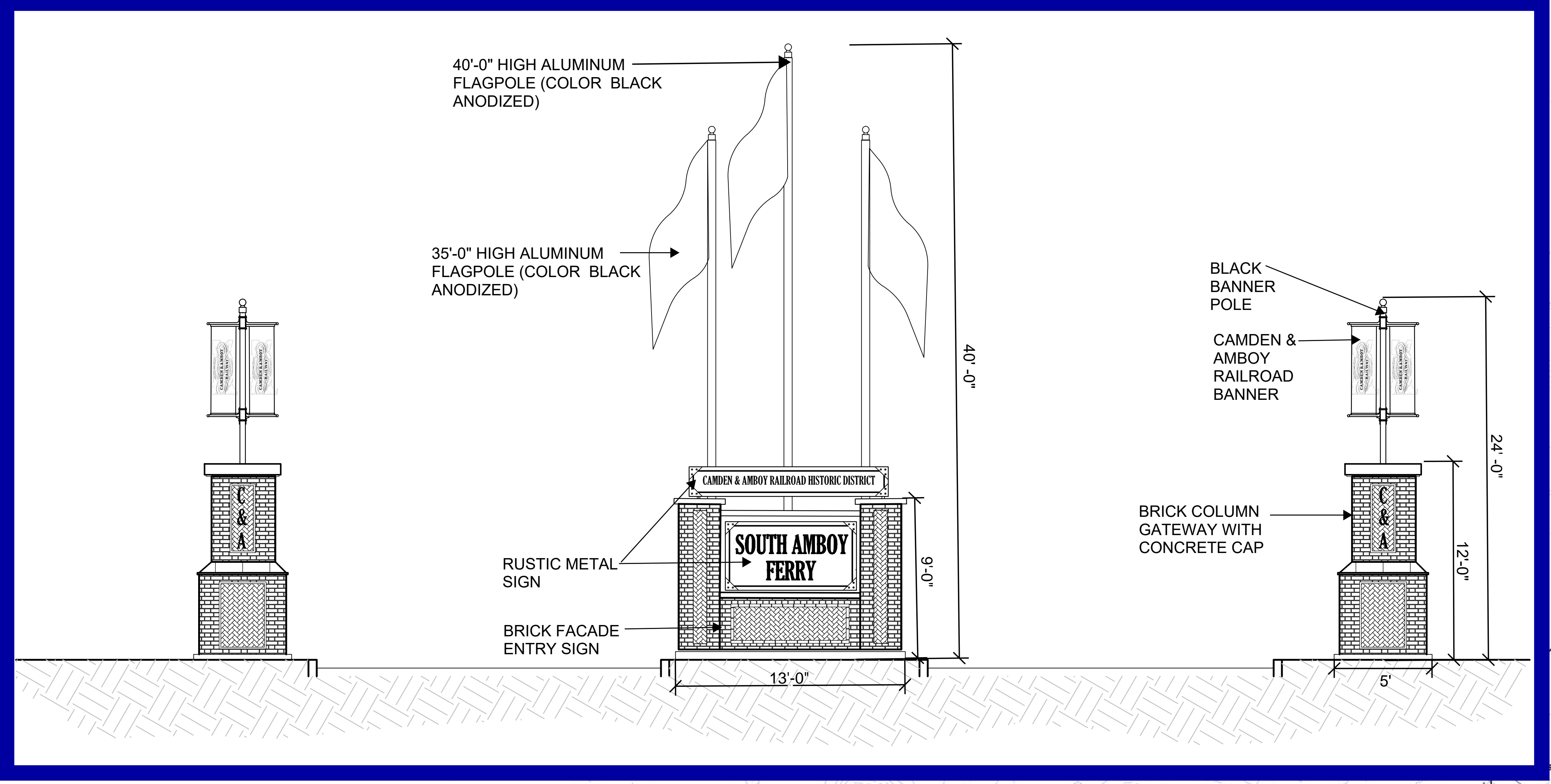
SCALE IN FEET 1"=30'



EXAMPLE - CANTENARY LIGHTING STRUCTURE

CANTENARY POSTS RE-PURPOSED AS LIGHTING STRUCTURES, POSSIBLY WITH STONE SLEEPERS INCORPORATED INTO BASE

GATEWAY / ENTRANCEWAY



GATEWAY / ENTRANCEWAY

FPA
FRENCH & PARRELLO
ASSOCIATES

Corporate Office
1800 Route 34, Suite 101
West Nyack, NY 10994
Tel: 201-719-7320
Fax: 201-719-7800

Regional Offices
Camden, NJ
Haddonfield, NJ
New York, NY

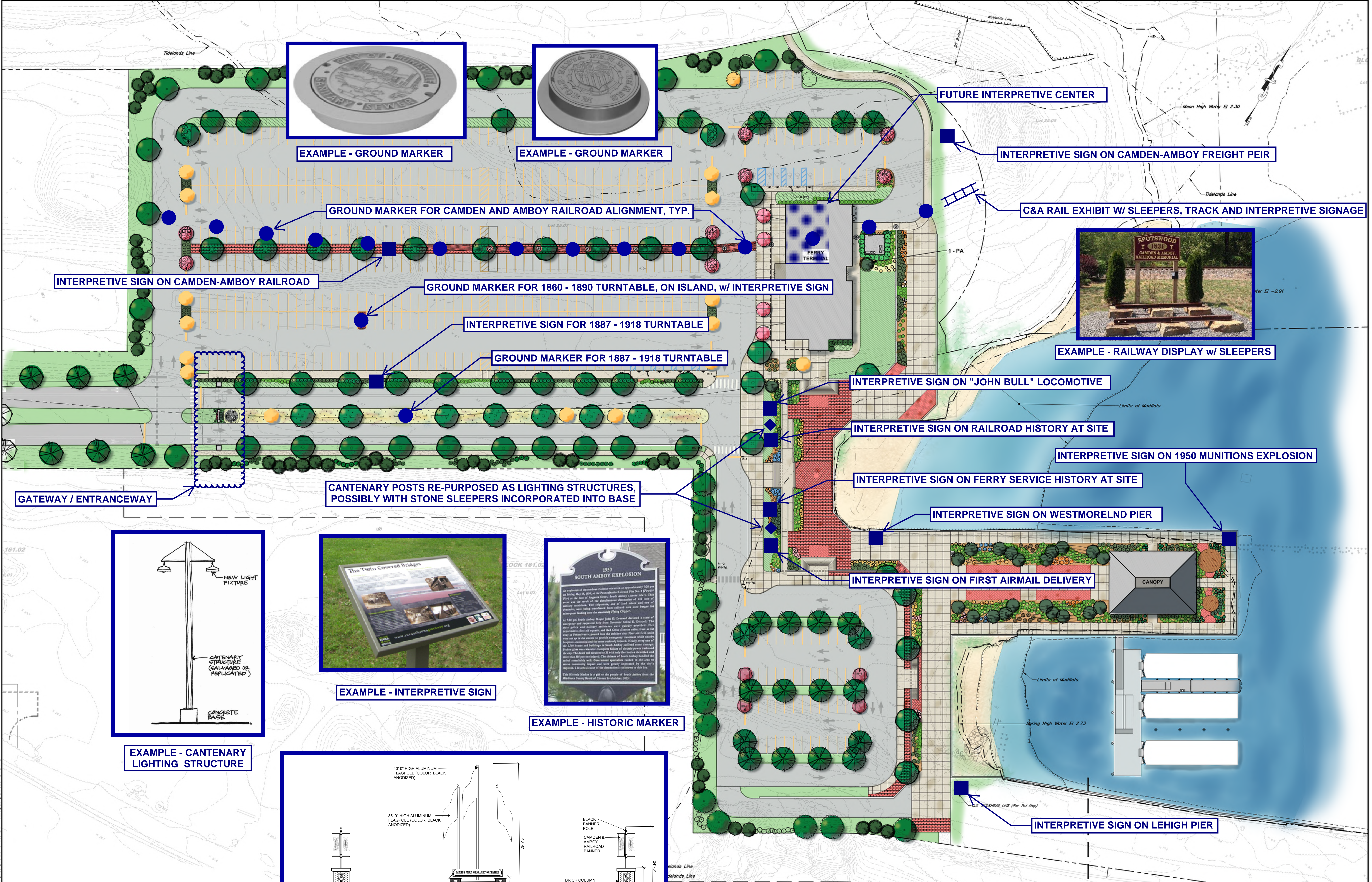
HISTORICAL ACCOMMODATIONS FOR SOUTH AMBOY FERRY TERMINAL

CITY OF SOUTH AMBOY
MIDDLESEX COUNTY NEW JERSEY

DATE: February 8, 2021

SCALE IN FEET
1" = 30'

COPYRIGHT © 2019, FRENCH & PARRELLO ASSOCIATES - THE COPYING OR REUSE OF THIS DOCUMENT, OR PORTIONS THEREOF, WITHOUT THE WRITTEN PERMISSION OF FRENCH & PARRELLO ASSOCIATES, PA IS PROHIBITED. DUE TO INHERENT ERRORS IN REPRODUCTION METHODS, ERRORS MAY OCCUR WHEN SCALING THIS DRAWING.



EXAMPLE - GROUND MARKER



EXAMPLE - GROUND MARKER

GROUND MARKER FOR CAMDEN AND AMBOY RAILROAD ALIGNMENT, TYP.

INTERPRETIVE SIGN ON CAMDEN-AMBOY RAILROAD

GROUND MARKER FOR 1860 - 1890 TURNTABLE, ON ISLAND, W/ INTERPRETIVE SIGN

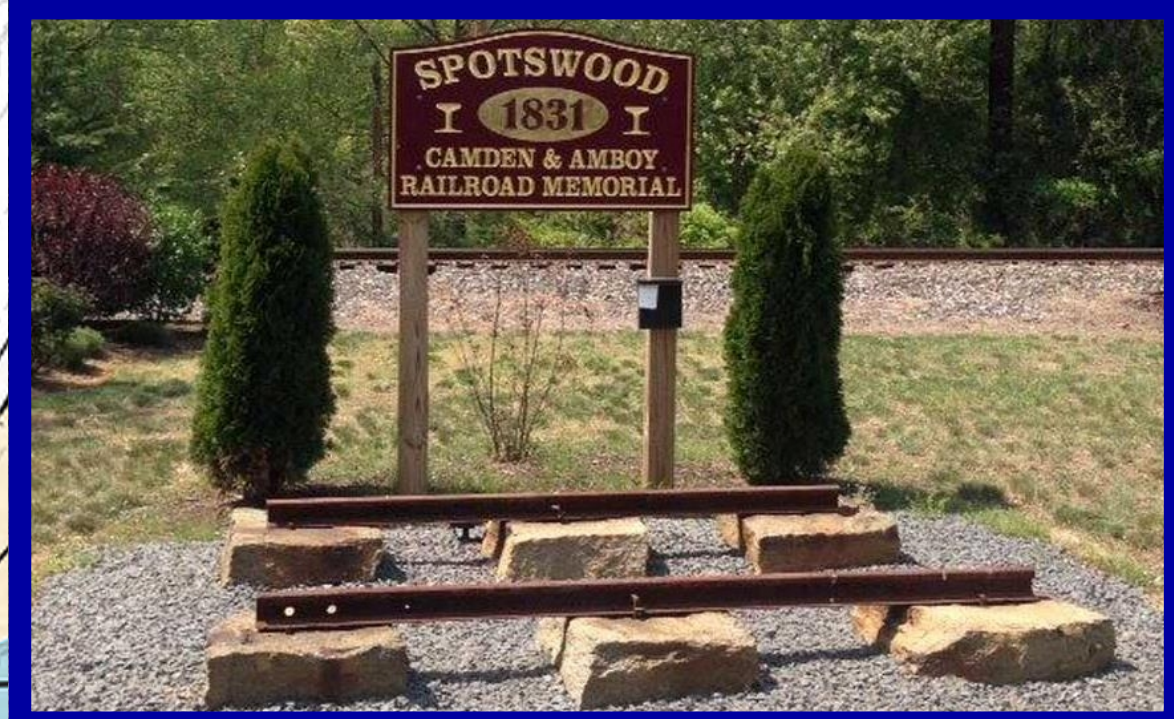
INTERPRETIVE SIGN FOR 1887 - 1918 TURNTABLE

GROUND MARKER FOR 1887 - 1918 TURNTABLE

FUTURE INTERPRETIVE CENTER

INTERPRETIVE SIGN ON CAMDEN-AMBOY FREIGHT PEIR

C&A RAIL EXHIBIT W/ SLEEPERS, TRACK AND INTERPRETIVE SIGNAGE



EXAMPLE - RAILWAY DISPLAY W/ SLEEPERS

INTERPRETIVE SIGN ON "JOHN BULL" LOCOMOTIVE

INTERPRETIVE SIGN ON RAILROAD HISTORY AT SITE

INTERPRETIVE SIGN ON 1950 MUNITIONS EXPLOSION

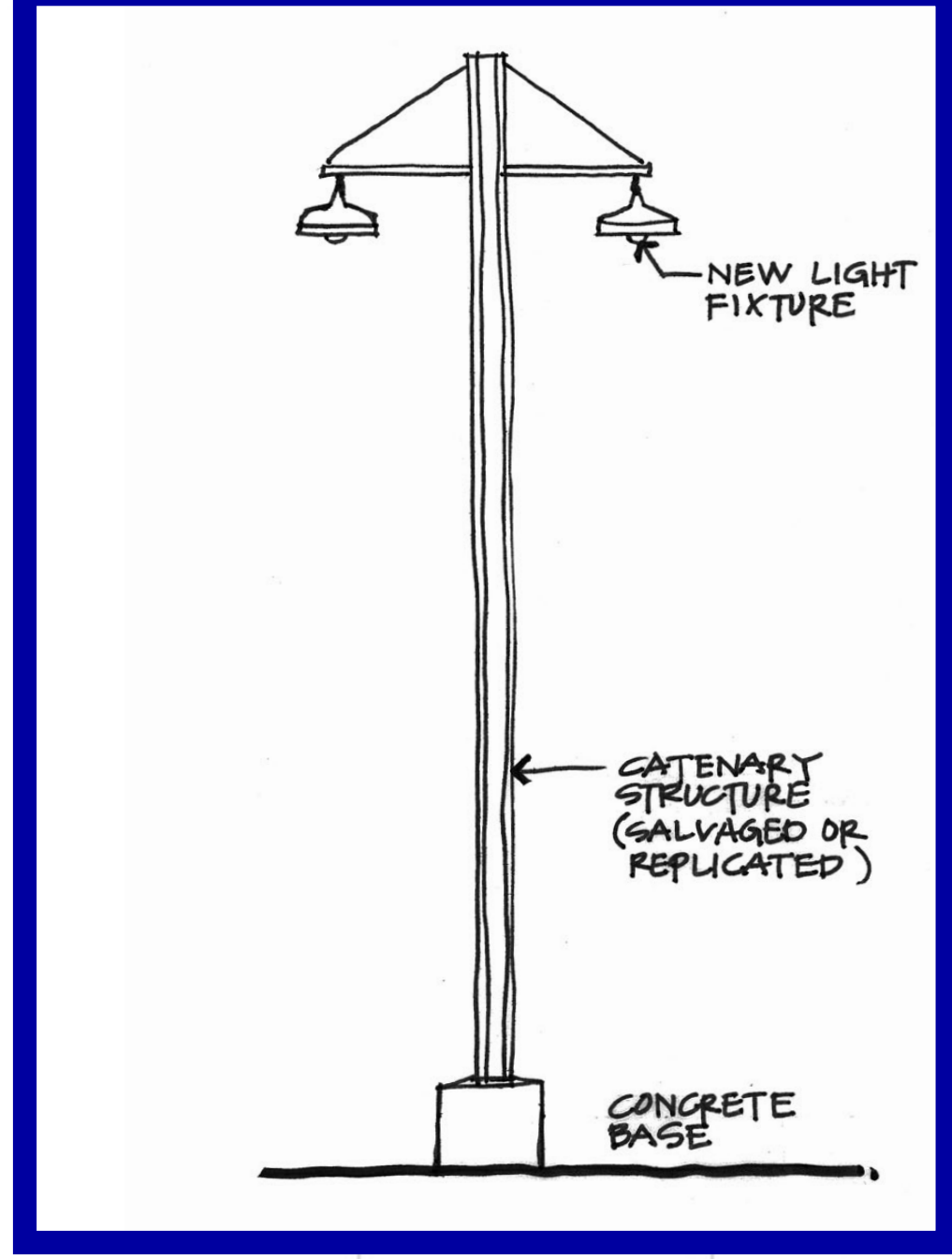
INTERPRETIVE SIGN ON FERRY SERVICE HISTORY AT SITE

INTERPRETIVE SIGN ON WESTMORELAND PIER

INTERPRETIVE SIGN ON FIRST AIRMAIL DELIVERY

INTERPRETIVE SIGN ON LEHIGH PIER

CANTENARY POSTS RE-PURPOSED AS LIGHTING STRUCTURES, POSSIBLY WITH STONE SLEEPERS INCORPORATED INTO BASE



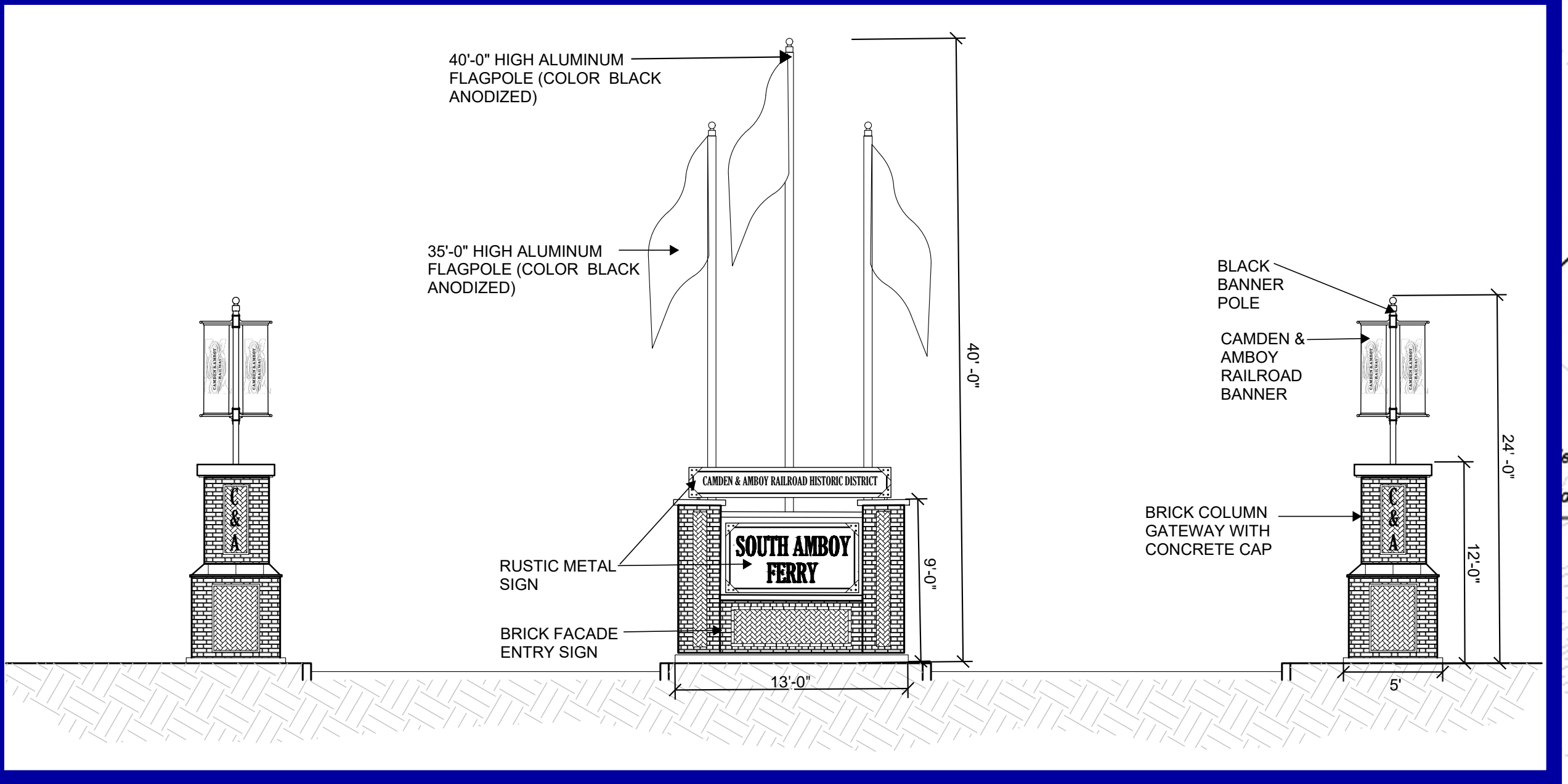
EXAMPLE - CANTENARY LIGHTING STRUCTURE



EXAMPLE - INTERPRETIVE SIGN



EXAMPLE - HISTORIC MARKER



GATEWAY / ENTRANCEWAY

FPA
FRENCH & PARRELLO ASSOCIATES

Corporate Office
1800 Route 34, Suite 101
West, NJ 07118
732.312.8800

Regional Offices
Camden, NJ
Hackettstown, NJ
New York, NY

HISTORICAL ACCOMMODATIONS FOR SOUTH AMBOY FERRY TERMINAL

CITY OF SOUTH AMBOY
MIDDLESEX COUNTY NEW JERSEY

DATE: February 6, 2021

SCALE IN FEET

Copyright © 2019, French & Parrello Associates - The copying or reuse of this document, or portions thereof, without the written permission of French & Parrello Associates, PA is prohibited. Due to inherent errors in reproduction methods, errors may occur when scaling this drawing.